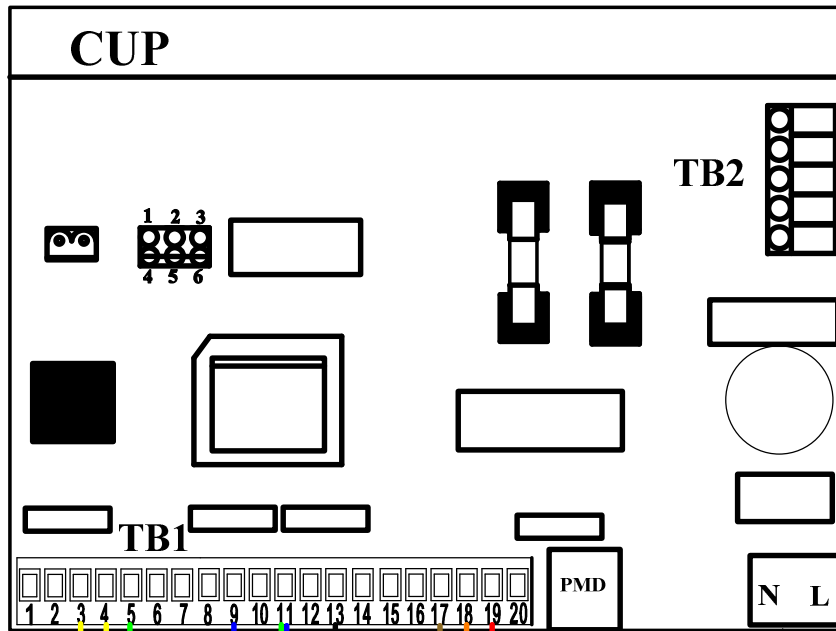


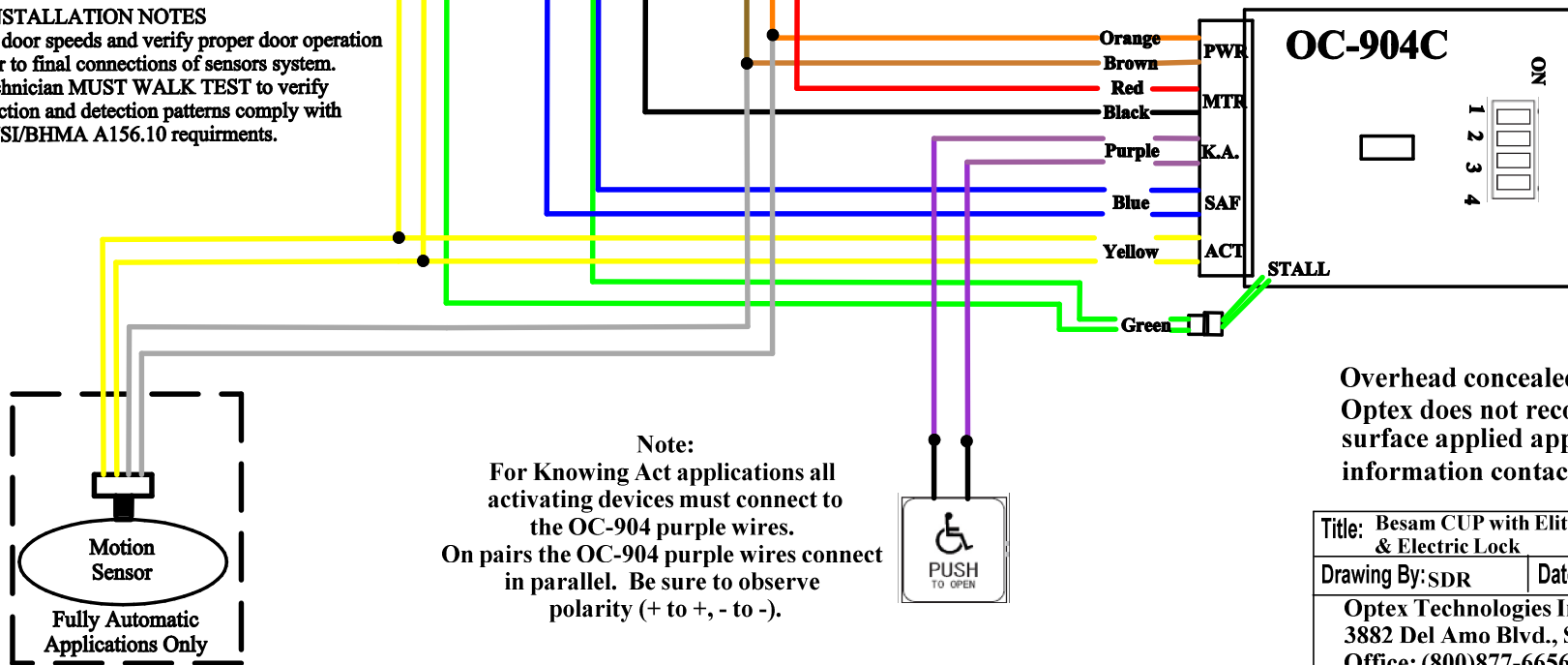
- 1 KEY OPERATE
- 2 PRESENCE SENSOR
- 3 INNER OPERATE
- 4 0 V DC
- 5 PRESENCE DETECTION
- 6
- 7 KILL
- 8 OFF
- 9 CONTACT MAT
- 10 0 V DC
- 11 PROGRAMMABLE DOOR
- 12 POSITION SWITCHES
- 13
- 14
- 15 24 VDC 3330mA
- 16
- 17 24 VDC 180 mA
- 18
- 19 18 VDC 530mA
- 20



CUP SOFTWARE MUST BE V6.4 OR HIGHER
FUNCTIONS SETTINGS TO BE SET AS FOLLOWS
 F11=3, F13=a, F14=a, F16=00, F17=00, F18=00, F19=b, F20=b
 Single is shown. On pairs wire the master and slave the same and include sync lines from pins 3 to 3, 4 to 4, 5 to 5, 9 to 9, 10 to 12 and 12 to 10.

OC-904 Dipswitch Settings Chart		
Dipswitch Settings	OFF	ON
1. Safety Output	N. O.	N. C.
2. Stall Output	N. O.	N. C.
3. Auto/K. A.	Automatic	Knowing Act
4. Future Use		
Fully Automatic		Knowing Act
1. OFF		1. OFF
2. OFF		2. OFF
3. OFF		3. ON
4. OFF		4. OFF

- INSTALLATION NOTES**
1. Set door speeds and verify proper door operation prior to final connections of sensors system.
 2. Technician MUST WALK TEST to verify function and detection patterns comply with ANSI/BHMA A156.10 requirements.



Note:
 For Knowing Act applications all activating devices must connect to the OC-904 purple wires.
 On pairs the OC-904 purple wires connect in parallel. Be sure to observe polarity (+ to +, - to -).

Overhead concealed applications only.
 Optex does not recommend the Elite on surface applied applications. For more information contact Optex technical support.

Title: Besam CUP with Elite & Electric Lock		Drawing # 01BESCUPELI03
Drawing By: SDR	Date: 06-25-08	Sheet: 1 of 1
Optex Technologies Inc. 3882 Del Amo Blvd., Suite 604, Torrance, CA 90503 Office: (800)877-6656, Fax: (310)214-8655		