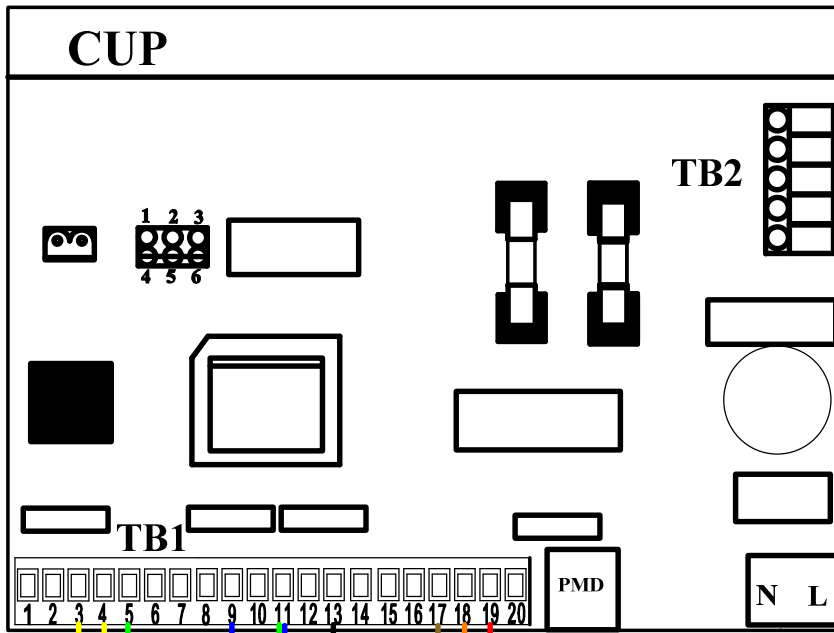
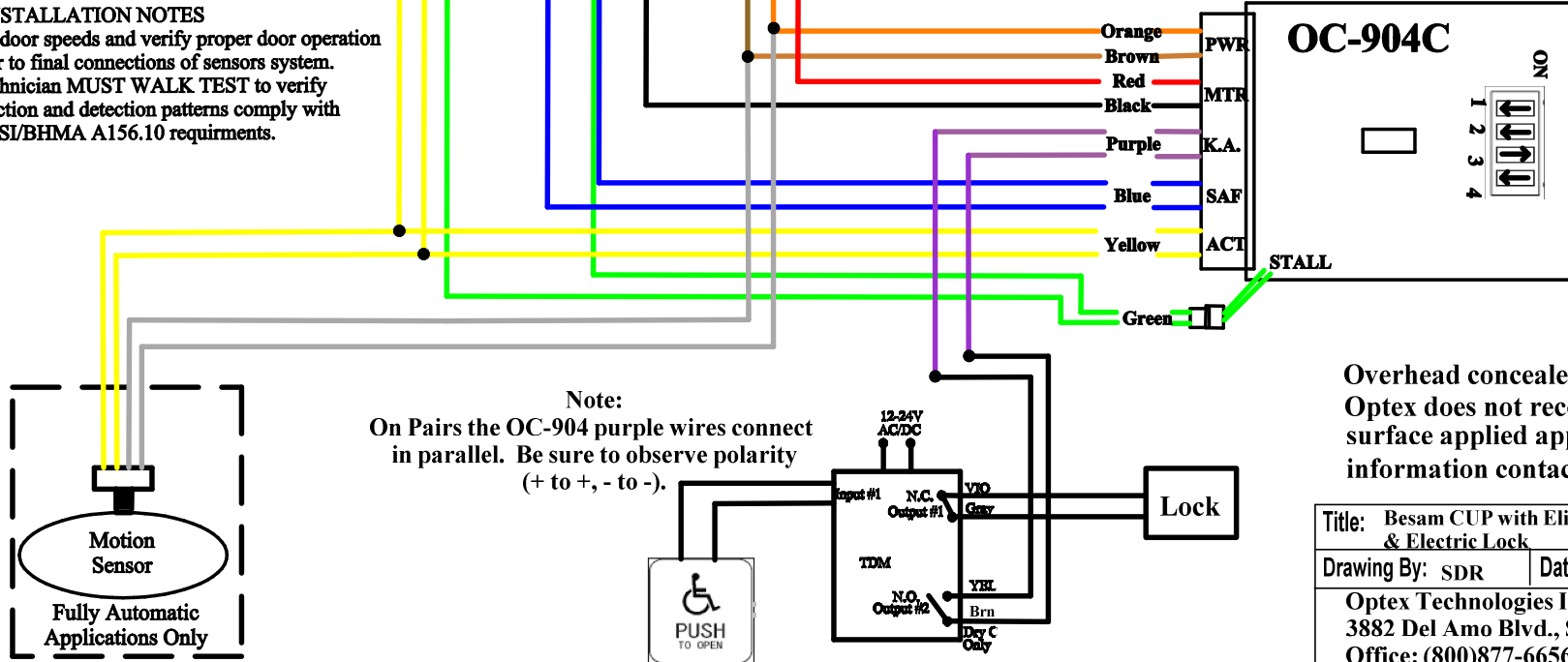


- 1 KEY OPERATE
- 2 PRESENCE SENSOR
- 3 INNER OPERATE
- 4 0 V DC
- 5 PRESENCE DETECTION
- 6
- 7 KILL
- 8 OFF
- 9 CONTACT MAT
- 10 0 V DC
- 11 PROGRAMMABLE DOOR
- 12 POSITION SWITCHES
- 13
- 14 24 VDC 3330mA
- 15 24 VDC 180 mA
- 16
- 17 18 VDC 530mA
- 18
- 19
- 20



**CUP SOFTWARE MUST BE V6.4 OR HIGHER**  
**FUNCTIONS SETTINGS TO BE SET AS FOLLOWS**  
 F11=3, F13=a, F14=a, F16=00, F17=00, F18=00, F19=b, F20=b  
 Single is shown. On pairs wire the master and slave the same and include sync lines from pins 3 to 3, 4 to 4, 5 to 5, 9 to 9, 10 to 12 and 12 to 10.

- INSTALLATION NOTES**
1. Set door speeds and verify proper door operation prior to final connections of sensors system.
  2. Technician MUST WALK TEST to verify function and detection patterns comply with ANSI/BHMA A156.10 requirements.



**Note:**  
 On Pairs the OC-904 purple wires connect in parallel. Be sure to observe polarity (+ to +, - to -).

Overhead concealed applications only. Optex does not recommend the Elite on surface applied applications. For more information contact Optex technical support.

|   |                         |
|---|-------------------------|
| Title: Besam CUP with Elite & Electric Lock   | Drawing # 01BESCUPELI03 |
| Drawing By: SDR   | Date: 06-25-08          |
| Sheet: 1 of 1   |                         |
| Optex Technologies Inc.<br>3882 Del Amo Blvd., Suite 604, Torrance, CA 90503<br>Office: (800)877-6656, Fax: (310)214-8655 |                         |