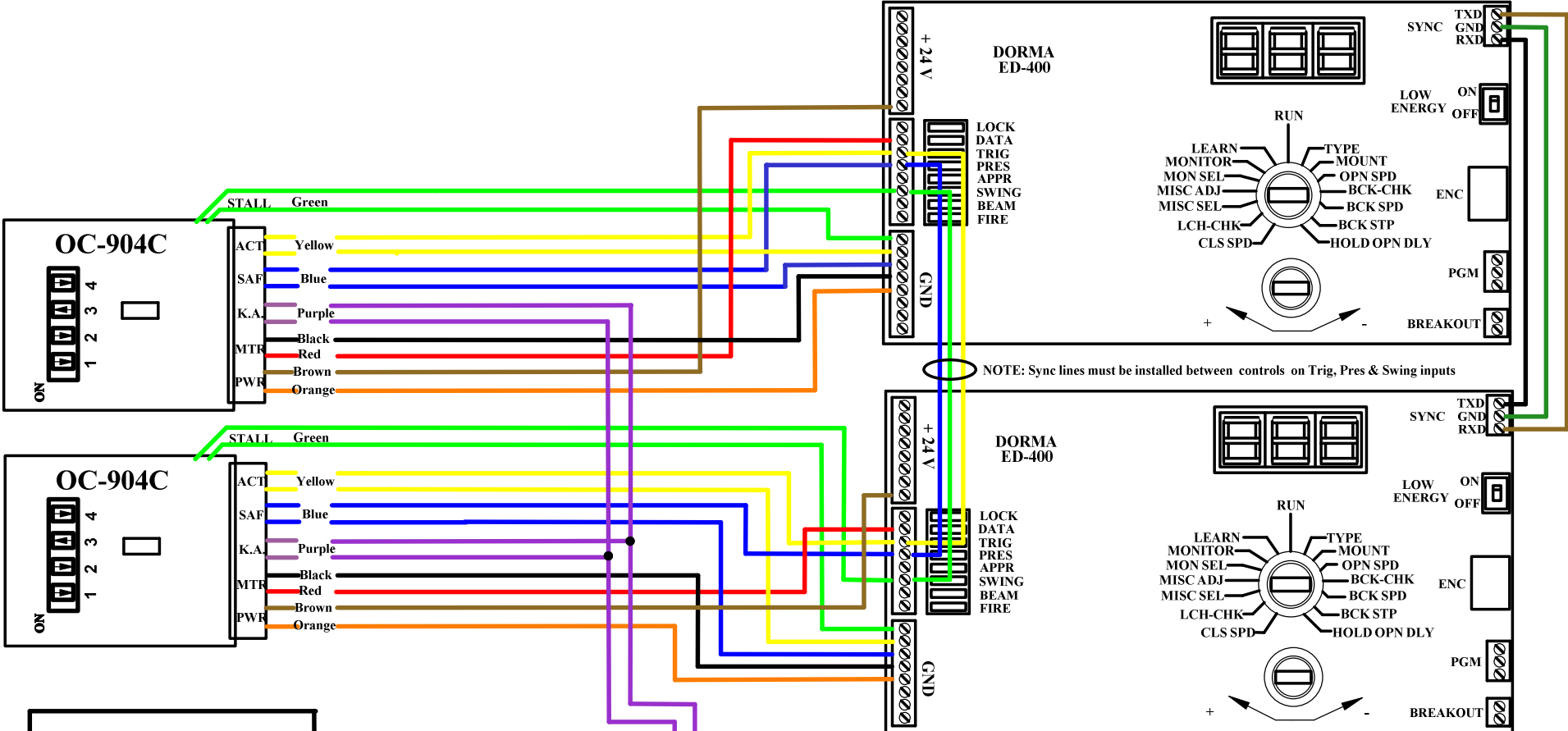
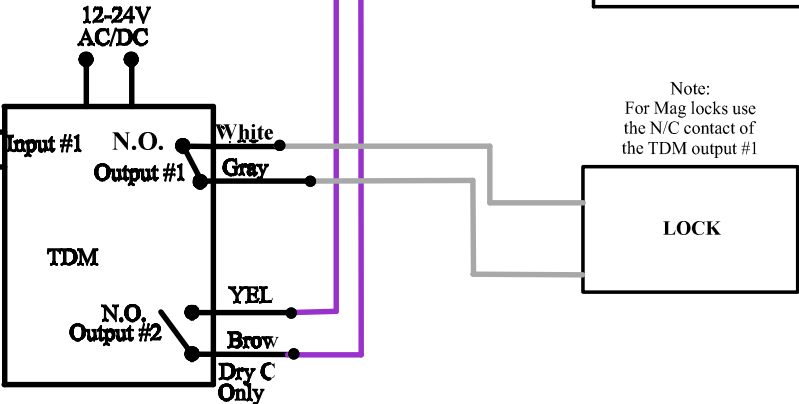


NOTE: On both Controls set UAL = 90, OCD = 0.1



NOTE: All activating devices (pushplates, card readers, motion sensors, etc.) must connect to the TDM. Purple wires from both OC-904 controls connect in parallel. Be sure to observe polarity of the purple wires (+ to +, - to -). Push/Pull Activation must be DISABLED at the Door Control



Note:  
For Mag locks use the N/C contact of the TDM output #1

- INSTALLATION NOTES
1. Set door speeds and verify proper door operation prior to final connections of sensors system.
  2. Technician MUST WALK TEST to verify function and detection patterns comply with ANSI/BHMA A156.10 requirements.

Title: Dorma ED-400 Simultaneous Pair with Elite and Electric locks		Drawing # 01DORMED400ELI03 Rev 3
Drawing By: SDR	Date: 5-29-08	Sheet: 1 of 1
Optex Technologies Inc. 3882 Del Amo Blvd., Suite 604, Torrance, CA 90503 Office: (800)877-6656, Fax: (310)214-8655		